



MIAMI-DADE COUNTY
BUILDING CODE COMPLIANCE OFFICE (BCCO)
PRODUCT CONTROL DIVISION

MIAMI-DADE COUNTY, FLORIDA
 METRO-DADE FLAGLER BUILDING
 140 WEST FLAGLER STREET, SUITE 1603
 MIAMI, FLORIDA 33130-1563
 (305) 375-2901 FAX (305) 372-6339

NOTICE OF ACCEPTANCE (NOA)

www.miamidade.gov/buildingcode

Arso Enterprises, Inc. d/b/a Sol-A-Trol Aluminum Products
4101 N.W. 132nd Street
Miami, FL 33054

SCOPE:

This NOA is being issued under the applicable rules and regulations governing the use of construction materials. The documentation submitted has been reviewed by Miami-Dade County Product Control Division and accepted by the Board of Rules and Appeals (BORA) to be used in Miami Dade County and other areas where allowed by the Authority Having Jurisdiction (AHJ).

This NOA shall not be valid after the expiration date stated below. The Miami-Dade County Product Control Division (In Miami Dade County) and/or the AHJ (in areas other than Miami Dade County) reserve the right to have this product or material tested for quality assurance purposes. If this product or material fails to perform in the accepted manner, the manufacturer will incur the expense of such testing and the AHJ may immediately revoke, modify, or suspend the use of such product or material within their jurisdiction. BORA reserves the right to revoke this acceptance, if it is determined by Miami-Dade County Product Control Division that this product or material fails to meet the requirements of the applicable building code. This product is approved as described herein, and has been designed to comply with the Florida Building Code, including the High Velocity Hurricane Zone.

DESCRIPTION: Series 3000/3062 Aluminum Fixed Window - L.M.I.

APPROVAL DOCUMENT: Drawing No. **W05-08**, titled "Series 3000/3062 Alum Fixed Wdw. (L.M.I.)", sheets 1 through 7 of 7, dated 02/16/05, with revision B dated 08/12/08, prepared by Al-Farooq Corporation, signed and sealed by Arshad Viqar, P.E., bearing the Miami-Dade County Product Control Revision stamp with the Notice of Acceptance number and approval date by the Miami-Dade County Product Control Division.

MISSILE IMPACT RATING: Large and Small Missile Impact Resistant

LABELING: Each unit shall bear a permanent label with the manufacturer's name or logo, city, state and following statement: "Miami-Dade County Product Control Approved", unless otherwise noted herein.

RENEWAL of this NOA shall be considered after a renewal application has been filed and there has been no change in the applicable building code negatively affecting the performance of this product.

TERMINATION of this NOA will occur after the expiration date or if there has been a revision or change in the materials, use, and/or manufacture of the product or process. Misuse of this NOA as an endorsement of any product, for sales, advertising or any other purposes shall automatically terminate this NOA. Failure to comply with any section of this NOA shall be cause for termination and removal of NOA.

ADVERTISEMENT: The NOA number preceded by the words Miami-Dade County, Florida, and followed by the expiration date may be displayed in advertising literature. If any portion of the NOA is displayed, then it shall be done in its entirety.

INSPECTION: A copy of this entire NOA shall be provided to the user by the manufacturer or its distributors and shall be available for inspection at the job site at the request of the Building Official. This NOA revises **NOA # 05-0414.01** and consists of this page 1 and evidence pages E-1 and E-2, as well as approval document mentioned above.

The submitted documentation was reviewed by **Manuel Perez, P.E.**



NOA No. 09-0518.07
Expiration Date: November 3, 2010
Approval Date: September 23, 2009
 Page 1

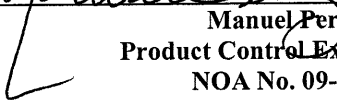
NOTICE OF ACCEPTANCE: EVIDENCE SUBMITTED

A. DRAWINGS

1. Manufacturers die drawings and sections.
2. Drawing No. **W05-08**, titled "Series 3000/3062 Alum Fixed WDW. (L.M.I.)", sheets 1 through 7 of 7, dated 02/16/05, with revision "B" dated 08/12/08, prepared by Al-Farooq Corporation, signed and sealed by Arshad Viqar, P.E.

B. TESTS

1. Test reports on: 1) Air Infiltration Test, per FBC, TAS 202-94
2) Uniform Static Air Pressure Test, Loading per FBC, TAS 202-94
3) Water Resistance Test, per FBC, TAS 202-94
4) Forced Entry Test, per FBC 2411.3.2.1 (b) and TAS 202-94
along with marked-up drawings and installation diagram of series 3062 aluminum fixed/casement window of XXO configuration, prepared by Hurricane Engineering & Testing Inc., Test Report No. **HTL-04-1409**, dated 09/28/04, revised on 03/16/05, signed and sealed by Ivonne Ghia, P.E. *(Submitted under previous NOA#05-0414.01)*
2. Test reports on: 1) Large Missile Impact Test per FBC, TAS 201-94
2) Cyclic Wind Pressure Loading per FBC, TAS 203-94
along with marked-up drawings and installation diagram of series 3062 aluminum fixed/casement window of XXO configuration, prepared by Hurricane Engineering & Testing Inc., Test Report No. **HTL-04-1918D**, dated 09/28/04, revised on 03/16/05, signed and sealed by Ivonne Ghia, P.E. *(Submitted under previous NOA#05-0414.01)*
(Submitted under previous NOA#05-0414.01)
3. Test reports on: 1) Large Missile Impact Test per FBC, TAS 201-94
2) Cyclic Wind Pressure Loading per FBC, TAS 203-94
along with marked-up drawings and installation diagram of series 3062 aluminum fixed/casement window of XXO configuration, prepared by Hurricane Engineering & Testing Inc., Test Report No. **HTL-04-1918A**, dated 09/28/04, revised on 03/16/05, signed and sealed by Ivonne Ghia, P.E. *(Submitted under previous NOA#05-0414.01)*
4. Test reports on: 1) Large Missile Impact Test per FBC, TAS 201-94
2) Cyclic Wind Pressure Loading per FBC, TAS 203-94
along with marked-up drawings and installation diagram of series 3000 aluminum fixed/casement window of XXO configuration, prepared by Hurricane Engineering & Testing Inc., Test Report No. **HTL-04-1918C**, dated 09/28/04, signed and sealed by Ivonne Ghia, P.E. *(Submitted under previous NOA#05-0414.01)*
5. Test reports on: 1) Large Missile Impact Test per FBC, TAS 201-94
2) Cyclic Wind Pressure Loading per FBC, TAS 203-94
along with marked-up drawings and installation diagram of series 3000 aluminum fixed/casement window of XXO configuration, prepared by Hurricane Engineering & Testing Inc., Test Report No. **HTL-04-1918E**, dated 09/28/04, revised on 03/16/05, signed and sealed by Ivonne Ghia, P.E. *(Submitted under previous NOA#05-0414.01)*


Manuel Perez, P.E.
Product Control Examiner
NOA No. 09-0518.07
Expiration Date: November 3, 2010
Approval Date: September 23, 2009

Arso Enterprises, Inc. d/b/a Sol-A-Trol Aluminum Products

NOTICE OF ACCEPTANCE: EVIDENCE SUBMITTED

B. TESTS (CONTINUED)

6. Test reports on: 1) Air Infiltration Test, per FBC, TAS 202-94
2) Uniform Static Air Pressure Test, Loading per FBC, TAS 202-94
3) Water Resistance Test, per FBC, TAS 202-94
4) Forced Entry Test, per FBC 2411.3.2.1 (b) and TAS 202-94
along with marked-up drawings and installation diagram of series 3000 aluminum fixed/casement window of XXO configuration, prepared by Hurricane Engineering & Testing Inc., Test Report No. **HTL-04-1410**, dated 09/28/04, signed and sealed by Ivonne Ghia, P.E. *(Submitted under previous NOA#05-0414.01)*
7. Test reports on: 1) Large Missile Impact Test per FBC, TAS 201-94
2) Cyclic Wind Pressure Loading per FBC, TAS 203-94
along with marked-up drawings and installation diagram of series 3000 aluminum fixed/casement window of XXO configuration, prepared by Hurricane Engineering & Testing Inc., Test Report No. **HTL-04-1918B**, dated 09/28/04, signed and sealed by Ivonne Ghia, P.E. *(Submitted under previous NOA#05-0414.01)*

C. CALCULATIONS

1. Anchor verification calculations and structural analysis, complying with FBC-2007, prepared by Al-Farooq Corporation, dated 03/27/09, signed and sealed by Arshad Viqar, P.E. **Complies with ASTM E1300-02/04**

D. QUALITY ASSURANCE

1. Miami Dade Building Code Compliance Office (BCCO).

E. MATERIAL CERTIFICATIONS

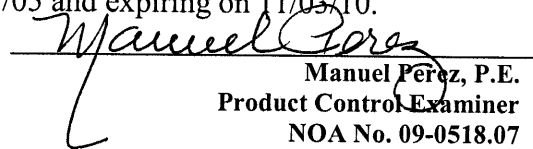
1. Notice of Acceptance No. **09-0312.03** issued to E.I. DuPont DeNemours & Co., Inc. for their "**DuPont Sentry Glass® Interlayer**" dated 05/13/09, expiring on 01/14/12.
2. Notice of Acceptance No. **09-0312.02** issued to E.I. DuPont DeNemours & Co., Inc. for their "**DuPont Butacite® PVB, Interlayer**" dated 05/13/09, expiring on 12/11/10.
3. Notice of Acceptance No. **06-0216.06** issued to Solutia Inc. for their "**Saflex III G Clear or colored interlayer**" dated 05/04/06, expiring on 05/21/11.

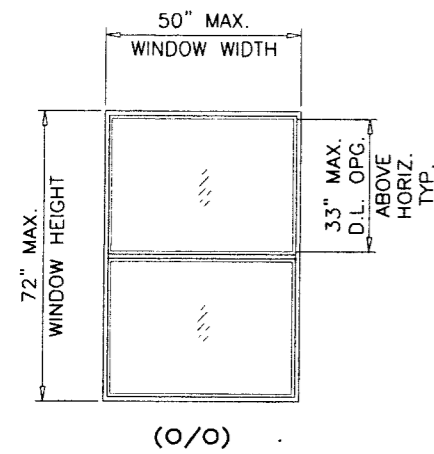
F. STATEMENTS

1. Statement letter of conformance, dated May 6, 2009, signed and sealed by Arshad Viqar, P.E.
2. Statement letter of no financial interest, dated May 6, 2009, signed and sealed by Arshad Viqar, P.E.

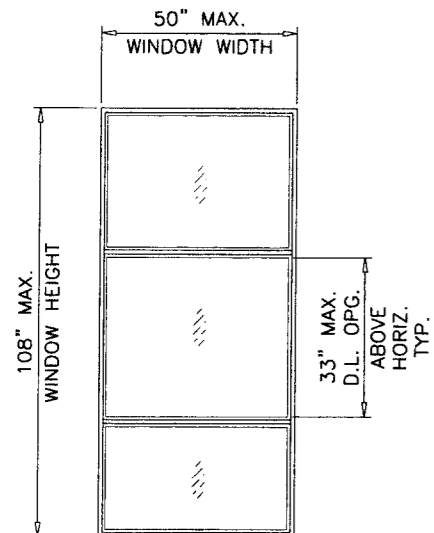
G. OTHERS

1. Notice of Acceptance No. **05-0414.01**, issued to Arso Enterprises, Inc. d/b/a Sol-A-Trol Aluminum Products, approved on 11/03/05 and expiring on 11/03/10.

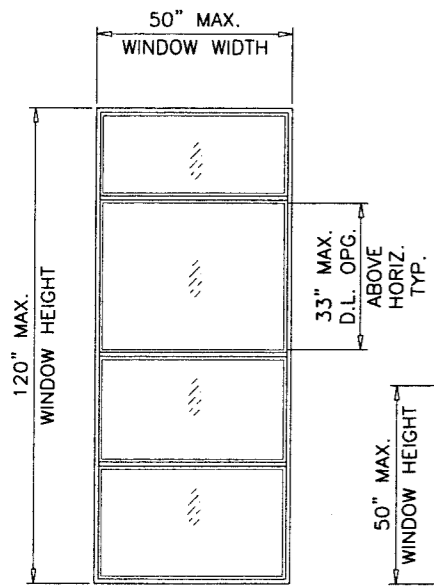

Manuel Perez, P.E.
Product Control Examiner
NOA No. 09-0518.07
Expiration Date: November 3, 2010
Approval Date: September 23, 2009



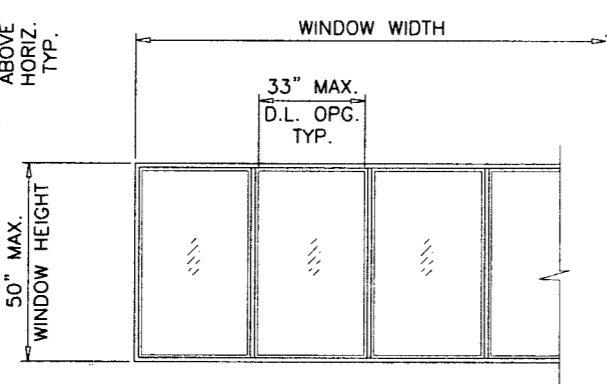
(0/0)



(0/0/0)



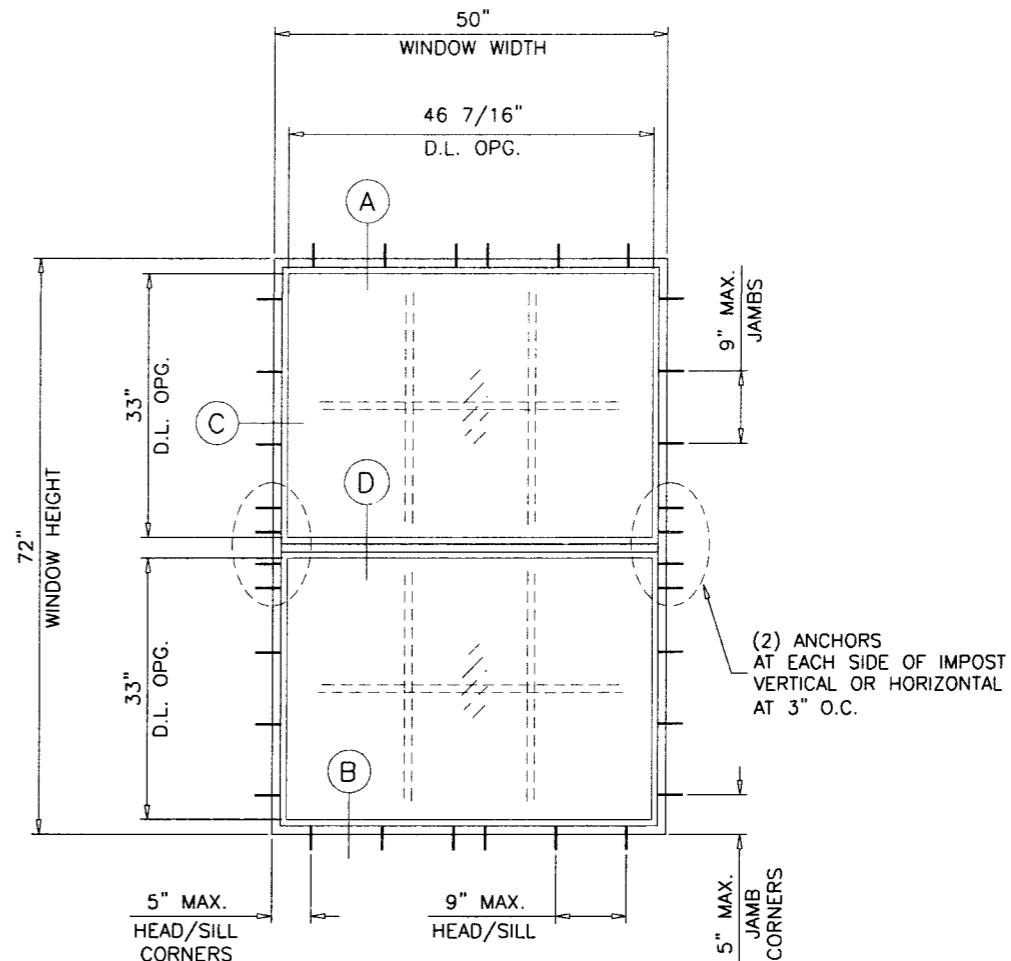
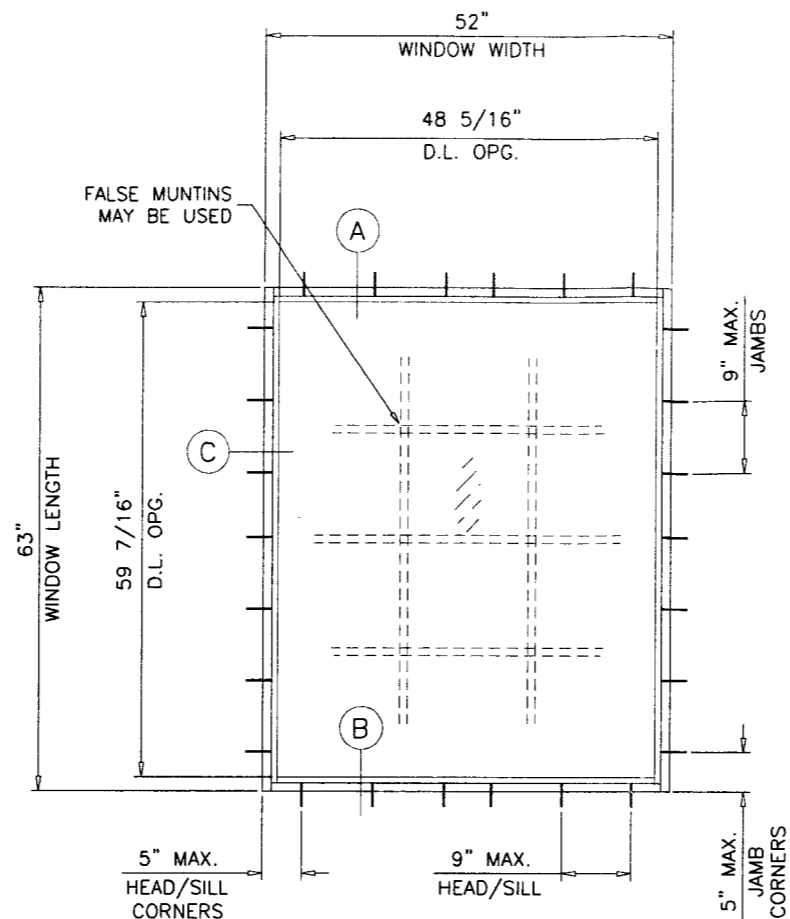
(0/0/0/0)



(0-0-0-0...)

APPROVED CONFIGURATIONS

MAXIMUM DESIGN LOADS FOR WINDOWS WITH IMPOSTS IS +80.0, -90.0 PSF FOR GLASS CAPACITY SEE CHART ON SHEET 3
LESSER VALUES FROM THE ABOVE WILL APPLY TO ENTIRE SYSTEM.



TYPICAL ELEVATIONS

**SERIES-3062/3000
ALUMINUM FIXED WINDOW**

DESIGN LOAD RATING FOR THESE WINDOWS TO BE AS PER CHARTS SHOWN ON SHEET 3.

APPROVAL APPLIES TO SINGLE UNITS OR SIDE BY SIDE COMBINATIONS OF FIXED/FIXED OR FIXED WITH OTHER WINDOW TYPES IN MODULES OF TWO OR MORE WINDOWS USING MIAMI-DADE COUNTY APPROVED MULLIONS IN BETWEEN.
LOWER DESIGN PRESSURE FROM WINDOWS OR MULLION APPROVAL WILL APPLY TO ENTIRE SYSTEM.

THIS PRODUCT HAS BEEN DESIGNED AND TESTED TO COMPLY WITH THE REQUIREMENTS OF THE FLORIDA BUILDING CODE 2004/2007 EDITION INCLUDING HIGH VELOCITY HURRICANE ZONE (HVHZ).

WOOD BUCKS BY OTHERS, MUST BE ANCHORED PROPERLY TO TRANSFER LOADS TO THE STRUCTURE.

ANCHORS SHALL BE AS LISTED, SPACED AS SHOWN ON DETAILS, ANCHORS EMBEDMENT TO BASE MATERIAL SHALL BE BEYOND WALL DRESSING OR STUCCO.

ANCHORING OR LOADING CONDITIONS NOT SHOWN IN THESE DETAILS ARE NOT PART OF THIS APPROVAL.

A LOAD DURATION INCREASE IS USED IN DESIGN OF ANCHORS INTO WOOD ONLY.

MATERIALS INCLUDING BUT NOT LIMITED TO STEEL/METAL SCREWS, THAT COME INTO CONTACT WITH OTHER DISSIMILAR MATERIALS SHALL MEET THE REQUIREMENTS OF 2004/2007 FLORIDA BLDG. CODE SECTION 2003.8.4.

Engr: ARSHAD VIQAR
CIVIL
FLA. PE # 38863
C.A.N. 3538

Arshad Viqar
MAY 14 2009

PRODUCT REVISED
to comply with the Florida Building Code
Acceptance No. 09-0518.07
Expansion Date NOV. 3, 2010
Manuel Perez
Miami Dade Product Control

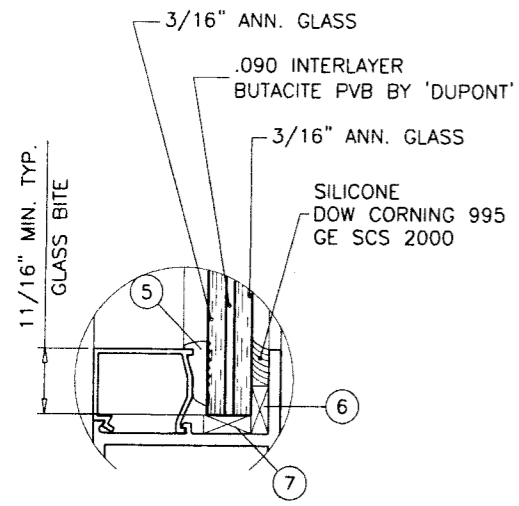
af c
AL-FAROOQ CORPORATION
ENGINEERS & PRODUCT DEVELOPMENT
1235 S.W. 87 AVE
MIAMI, FLORIDA 33174
TEL. (305) 264-8100 FAX. (305) 262-6978
COMP-ANL\W05-08SAT

SERIES 3000/3062 ALUM FIXED WDW. (L.M.I.)
SOL-A-TROL ALUMINUM PRODUCTS
4101 N.W. 132ND STREET
MIAMI, FL. 33054
TEL. (305) 681-2020 FAX. (305) 681-2035

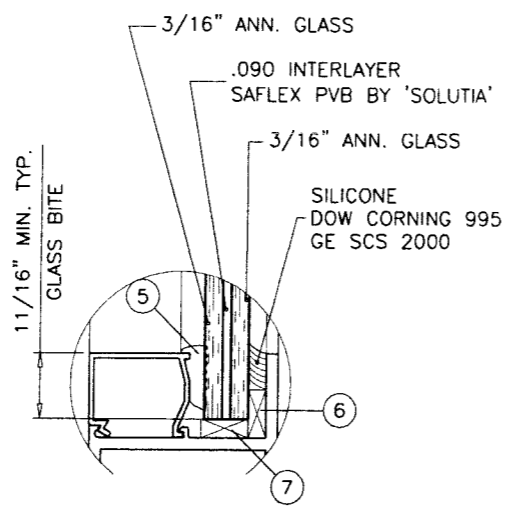
no.	date	by	description
A	09.09.05		UPDATED FOR 2004 FBC
B	08.12.08		UPDATED FOR 2007 FBC

date:	02-16-05
scale:	1/2"=1'-0"
dr. by:	HAMID
chk. by:	

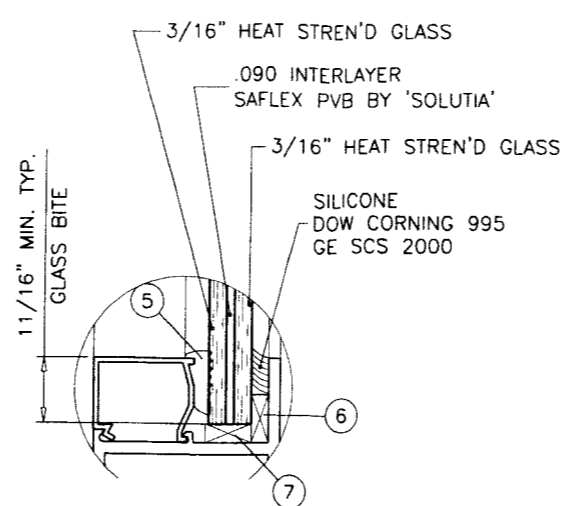
drawing no.
W05-08
sheet 1 of 7



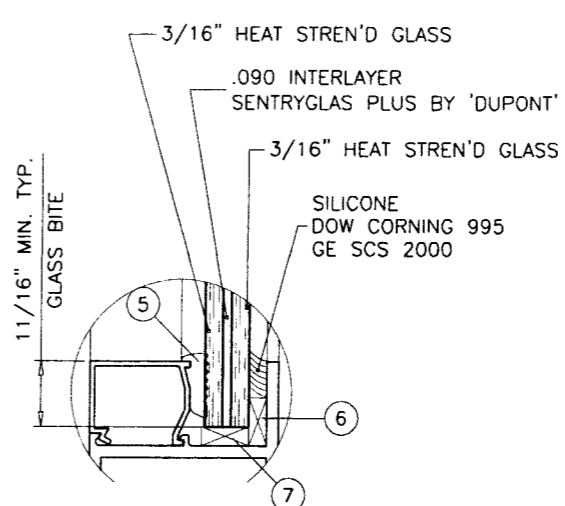
GLASS TYPE 'A'



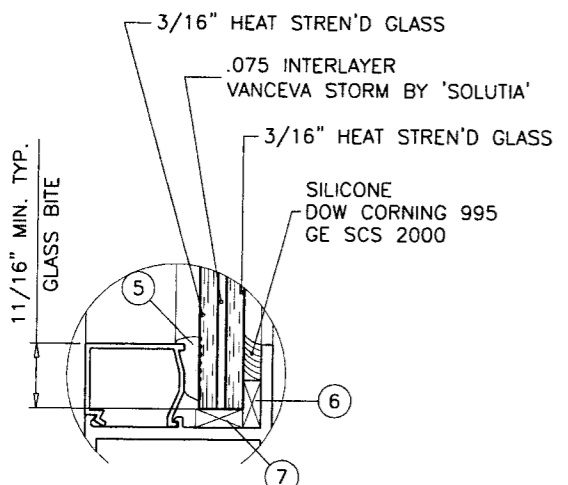
GLASS TYPE 'B'



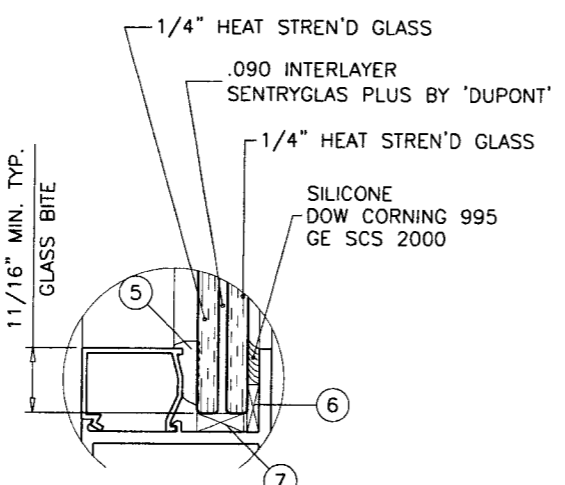
GLASS TYPE 'C'



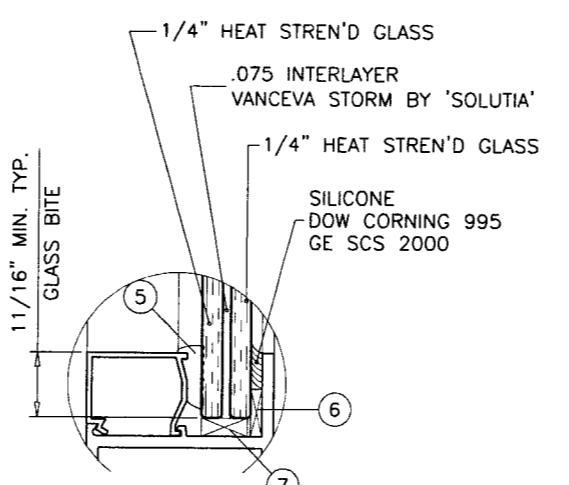
GLASS TYPE 'D'



GLASS TYPE 'F'



GLASS TYPE 'G'



GLASS TYPE 'H'

GLAZING OPTIONS

Engr: ARSHAD VIQAR
 CIVIL
 FLA. PE # 38863
 C.A.N. 3538

Arj

MAY 14 2009

PRODUCT REVISED
 as complying with the Florida
 Building Code
 Acceptance No. 09-0518.07
 Expiration Date NOV. 3, 2010

By *Mamad Perez*
 Miami Trade Product Control

af c

AL-FAROOQ CORPORATION
 ENGINEERS & PRODUCT DEVELOPMENT
 1235 S.W. 87 AVE
 MIAMI, FLORIDA 33174
 TEL. (305) 264-8100 FAX. (305) 262-6978
 COMP-ANL W05-08SAT

SERIES 3000/3062 ALUM FIXED WDW. (L.M.I.)

SOL-A-TROL ALUMINUM PRODUCTS
 4101 N.W. 132ND STREET
 MIAMI, FL. 33054
 TEL. (305) 681-2020 FAX. (305) 681-2035

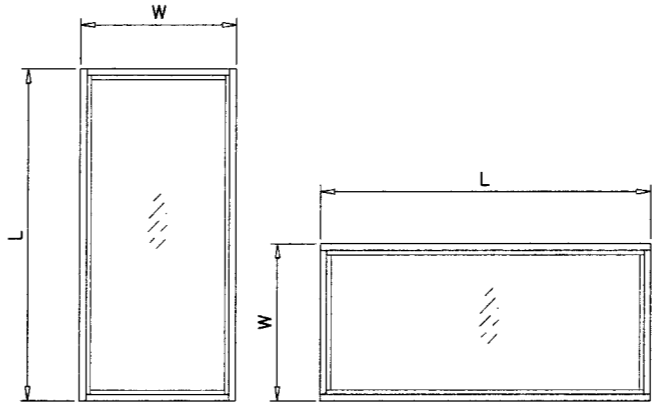
revisions:	
no	date by description
B	08.12.08 UPDATED FOR 2007 FBC

date: 02-16-05
 scale: 1/2" = 1"
 dr. by: HAMID
 chk. by:

drawing no.
W05-08
 sheet 2 of 7

DESIGN LOAD CAPACITY - PSF											
WINDOW DIMS.		GLASS TYPE 'A' & 'B'		GLASS TYPE 'C'		GLASS TYPE 'D'		GLASS TYPE 'F'		GLASS TYPE 'G' & 'H'	
WIDTH (W)	LENGTH (L)	EXT.(+)	INT.(-)	EXT.(+)	INT.(-)	EXT.(+)	INT.(-)	EXT.(+)	INT.(-)	EXT.(+)	INT.(-)
24"	36"	80.0	80.0	80.0	80.0	100.0	100.0	100.0	100.0	75.0	95.0
30"		80.0	80.0	80.0	80.0	100.0	100.0	100.0	100.0	75.0	95.0
36"		80.0	80.0	80.0	80.0	100.0	100.0	100.0	100.0	75.0	95.0
42"		80.0	80.0	80.0	80.0	100.0	100.0	100.0	100.0	75.0	95.0
48"		80.0	80.0	80.0	80.0	100.0	100.0	100.0	100.0	75.0	95.0
54"	80.0	80.0	80.0	80.0	100.0	100.0	100.0	100.0	-	-	
24"	42"	80.0	80.0	80.0	80.0	100.0	100.0	100.0	100.0	75.0	95.0
30"		80.0	80.0	80.0	80.0	100.0	100.0	100.0	100.0	75.0	95.0
36"		80.0	80.0	80.0	80.0	100.0	100.0	100.0	100.0	75.0	95.0
42"		80.0	80.0	80.0	80.0	100.0	100.0	100.0	100.0	75.0	95.0
48"		-	-	80.0	80.0	100.0	100.0	100.0	100.0	-	-
54"	-	-	80.0	80.0	100.0	100.0	80.0	90.0	-	-	
24"	48"	80.0	80.0	80.0	80.0	100.0	100.0	100.0	100.0	75.0	95.0
30"		80.0	80.0	80.0	80.0	100.0	100.0	100.0	100.0	75.0	95.0
36"		80.0	80.0	80.0	80.0	100.0	100.0	100.0	100.0	75.0	95.0
42"		-	-	80.0	80.0	100.0	100.0	100.0	100.0	-	-
48"		-	-	80.0	80.0	100.0	100.0	80.0	90.0	-	-
54"	-	-	80.0	80.0	100.0	100.0	-	-	-	-	
24"	54"	80.0	80.0	80.0	80.0	100.0	100.0	100.0	100.0	75.0	95.0
30"		80.0	80.0	80.0	80.0	100.0	100.0	100.0	100.0	75.0	95.0
36"		80.0	80.0	80.0	80.0	100.0	100.0	100.0	100.0	-	-
42"		-	-	80.0	80.0	100.0	100.0	80.0	90.0	-	-
48"		-	-	80.0	80.0	100.0	100.0	-	-	-	-
54"	-	-	77.0	77.0	96.3	96.3	-	-	-	-	
24"	60"	80.0	80.0	80.0	80.0	100.0	100.0	100.0	100.0	75.0	95.0
30"		80.0	80.0	80.0	80.0	100.0	100.0	100.0	100.0	75.0	95.0
36"		-	-	80.0	80.0	100.0	100.0	80.0	90.0	-	-
42"		-	-	80.0	80.0	100.0	100.0	-	-	-	-
48"		-	-	80.0	80.0	100.0	100.0	-	-	-	-
54"	-	-	77.0	77.0	96.3	96.3	-	-	-	-	
24"	66"	80.0	80.0	80.0	80.0	100.0	100.0	100.0	100.0	75.0	95.0
30"		-	-	80.0	80.0	100.0	100.0	100.0	100.0	-	-
36"		-	-	80.0	80.0	100.0	100.0	80.0	90.0	-	-
42"		-	-	80.0	80.0	100.0	100.0	-	-	-	-
48"		-	-	80.0	80.0	100.0	100.0	-	-	-	-
24"	72"	80.0	80.0	80.0	80.0	100.0	100.0	100.0	100.0	75.0	95.0
30"		-	-	80.0	80.0	100.0	100.0	80.0	90.0	-	-
36"		-	-	80.0	80.0	100.0	100.0	-	-	-	-
42"		-	-	80.0	80.0	100.0	100.0	-	-	-	-
48"		-	-	80.0	80.0	100.0	100.0	-	-	-	-
24"	76"	-	-	80.0	80.0	100.0	100.0	100.0	100.0	75.0	95.0
30"		-	-	80.0	80.0	100.0	100.0	80.0	90.0	-	-
36"		-	-	80.0	80.0	100.0	100.0	-	-	-	-
42"		-	-	80.0	80.0	100.0	100.0	-	-	-	-
48"		-	-	80.0	80.0	100.0	100.0	-	-	-	-
24"	84"	-	-	80.0	80.0	100.0	100.0	100.0	100.0	-	-
30"		-	-	80.0	80.0	100.0	100.0	-	-	-	-
36"		-	-	80.0	80.0	100.0	100.0	-	-	-	-

DESIGN LOAD CAPACITY - PSF											
WINDOW DIMS.		GLASS TYPE 'A' & 'B'		GLASS TYPE 'C'		GLASS TYPE 'D'		GLASS TYPE 'F'		GLASS TYPE 'G' & 'H'	
WIDTH (W)	LENGTH (L)	EXT.(+)	INT.(-)	EXT.(+)	INT.(-)	EXT.(+)	INT.(-)	EXT.(+)	INT.(-)	EXT.(+)	INT.(-)
19-1/8"	26"	80.0	80.0	80.0	80.0	100.0	100.0	100.0	100.0	75.0	95.0
26-1/2"		80.0	80.0	80.0	80.0	100.0	100.0	100.0	100.0	75.0	95.0
37"		80.0	80.0	80.0	80.0	100.0	100.0	100.0	100.0	75.0	95.0
53-1/8"		80.0	80.0	80.0	80.0	100.0	100.0	100.0	100.0	75.0	95.0
19-1/8"	38-3/8"	80.0	80.0	80.0	80.0	100.0	100.0	100.0	100.0	75.0	95.0
26-1/2"		80.0	80.0	80.0	80.0	100.0	100.0	100.0	100.0	75.0	95.0
37"		80.0	80.0	80.0	80.0	100.0	100.0	100.0	100.0	75.0	95.0
53-1/8"	-	-	-	80.0	80.0	100.0	100.0	80.0	90.0	-	-
19-1/8"	50-5/8"	80.0	80.0	80.0	80.0	100.0	100.0	100.0	100.0	75.0	95.0
26-1/2"		80.0	80.0	80.0	80.0	100.0	100.0	100.0	100.0	75.0	95.0
37"		80.0	80.0	80.0	80.0	100.0	100.0	100.0	100.0	75.0	95.0
53-1/8"		-	-	-	80.0	80.0	100.0	100.0	-	-	-
19-1/8"	63"	80.0	80.0	80.0	80.0	100.0	100.0	100.0	100.0	75.0	95.0
26-1/2"		80.0	80.0	80.0	80.0	100.0	100.0	100.0	100.0	75.0	95.0
37"		-	-	-	80.0	80.0	100.0	100.0	-	-	-
19-1/8"	74-1/4"	80.0	80.0	80.0	80.0	100.0	100.0	100.0	100.0	75.0	95.0
26-1/2"		-	-	-	80.0	80.0	100.0	100.0	100.0	-	-
37"		-	-	-	80.0	80.0	100.0	100.0	-	-	-



NOTE:
WIDTH AND LENGTH DIMENSIONS CAN BE ORIENTED VERTICALLY OR HORIZONTALLY AS SHOWN ABOVE.

NOTE:
GLASS CAPACITIES ON THIS SHEET ARE BASED ON ASTM E1300-02/04 (3 SEC. GUSTS).

Engr: ARSHAD VIQAR
CIVIL
FLA. PE # 38963
C.A.N. 3538

Arvi
MAY 14 2009

PRODUCT REVISED
as complying with the Florida
Building Code
Acceptance No. 09-0518.07
Expiration Date Nov. 3, 2010

Manuel Perez
Miami, FL Product Control

AL-FAROQ CORPORATION
ENGINEERS & PRODUCT DEVELOPMENT
1235 S.W. 87 AVE
MIAMI, FLORIDA 33174
TEL. (305) 264-8100 FAX. (305) 262-6978

af c
COMP - ANL \ W05 - 08SAT

SERIES 3000/3062 ALUM FIXED WDW. (L.M.I.)

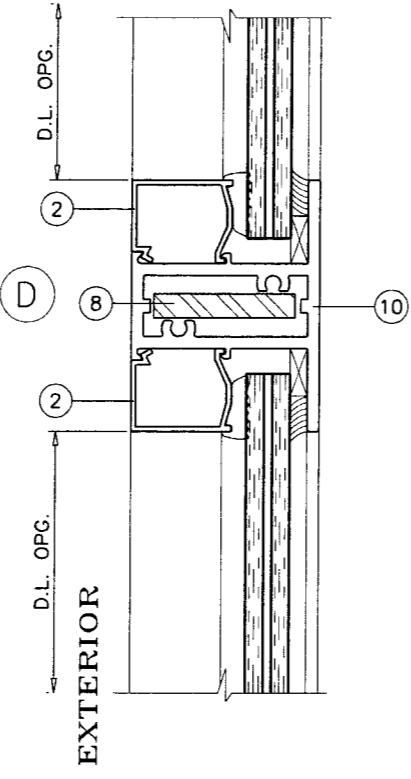
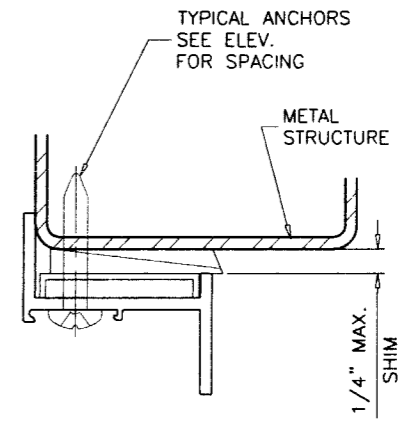
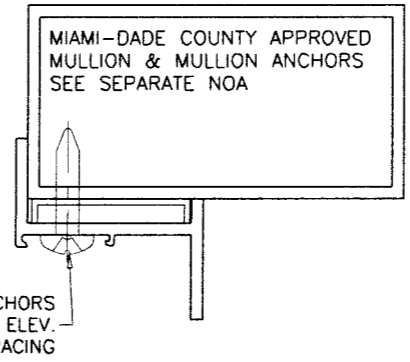
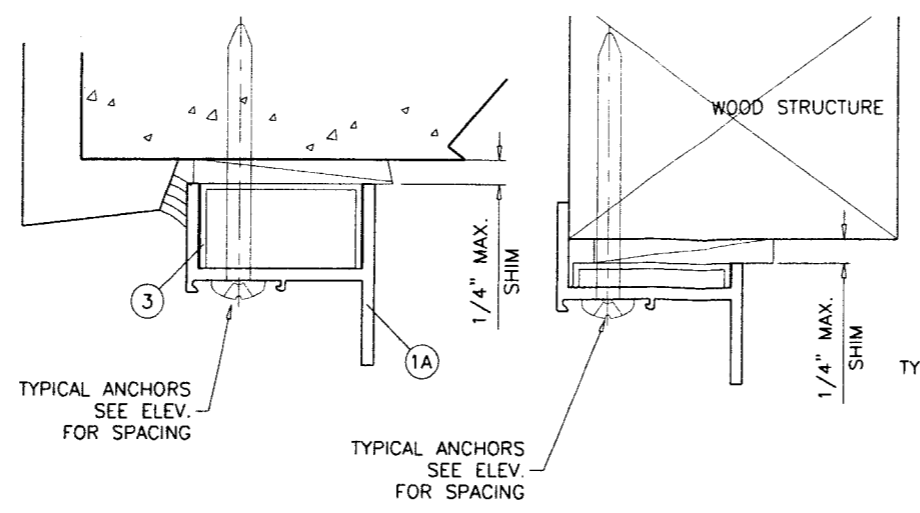
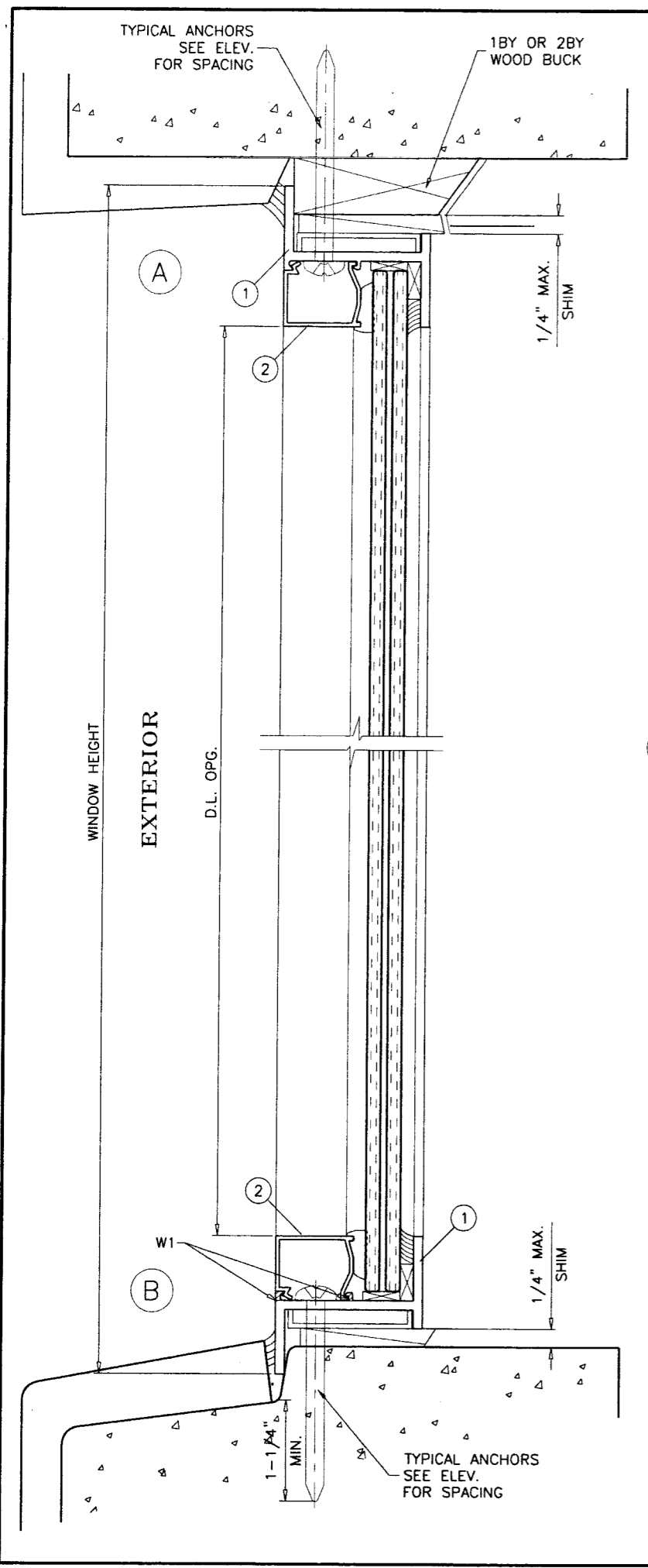
SOL-A-TROL ALUMINUM PRODUCTS
4101 N.W. 132ND STREET
MIAMI, FL. 33054
TEL. (305) 681-2020 FAX. (305) 681-2035

revisions:	no	date	by	description
A	09.09.05	NOTE ADDED		
B	08.12.08	UPDATED FOR 2007 FBC		

date: 02-16-05
scale: 1/2" = 1"
dr. by: HAMID
chk. by:

drawing no.
W05-08

sheet 3 of 7



TYPICAL ANCHORS: SEE ELEV. FOR SPACING
1/4" DIA. ULTRACON BY 'ELCO' (Fu=177 KSI, Fy=155 KSI)
 INTO WOOD STRUCTURES
 2" MIN. PENETRATION INTO WOOD
 THRU 1BY OR 2BY BUCKS INTO CONC. OR MASONRY
 1-1/4" MIN. EMBED INTO CONC. OR MASONRY
 DIRECTLY INTO CONC. OR MASONRY
 1-1/4" MIN. EMBED INTO CONC. OR MASONRY

#14 SMS
 INTO 2BY WOOD BUCKS OR WOOD STRUCTURES
 1-1/2" MIN. PENETRATION INTO WOOD (GRADE 2 CRS)

#14 SMS OR SELF DRILLING SCREWS
 INTO METAL STRUCTURES
 STEEL : 12 GA. MIN. (Fy = 36 KSI MIN.)
 ALUMINUM : 1/8" THK. MIN. (6063-T5 MIN.)
 (STEEL IN CONTACT WITH ALUMINUM TO BE PLATED OR PAINTED)
 INTO MIAMI-DADE COUNTY APPROVED MULLIONS (MIN. THK. = .090")
 (NO SHIM SPACE)

TYPICAL EDGE DISTANCE
 INTO CONCRETE AND MASONRY = 1-1/4" MIN.
 INTO WOOD STRUCTURE = 7/16" MIN.
 INTO METAL STRUCTURE = 7/16" MIN.

CONCRETE f'c = 3000 PSI MIN.
 MASONRY f'm = 1924 PSI MIN.

SEALANTS:
 ALL FRAME AND VENT CORNERS SEALED WITH JOINT SEALANT.

WEEPHOLES:
 W1 = 3/8" NOTCH AT 7" FROM EACH END

FLANGE AND EQUAL LEG FRAMES CAN BE USED AT ALL ANCHORAGE CONDITIONS.

WOOD BUCKS AND METAL STRUCTURE NOT BY SOL-A-TROL MUST SUSTAIN LOADS IMPOSED BY GLAZING SYSTEM AND TRANSFER THEM TO THE BUILDING STRUCTURE.

Engr: ARSHAD VIQAR
 CIVIL
 FLA. PE # 38863
 C.A.N. 3538
 MAY 14 2009

PRODUCT REVISED
 as complying with the Florida
 Building Code
 Acceptance No. 09-0518-07
 Expiration Date NOV. 3, 2010
 By: *Manuel Perez*
 Miami Dade Product Control

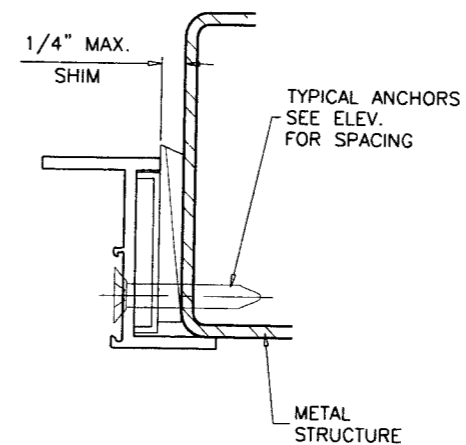
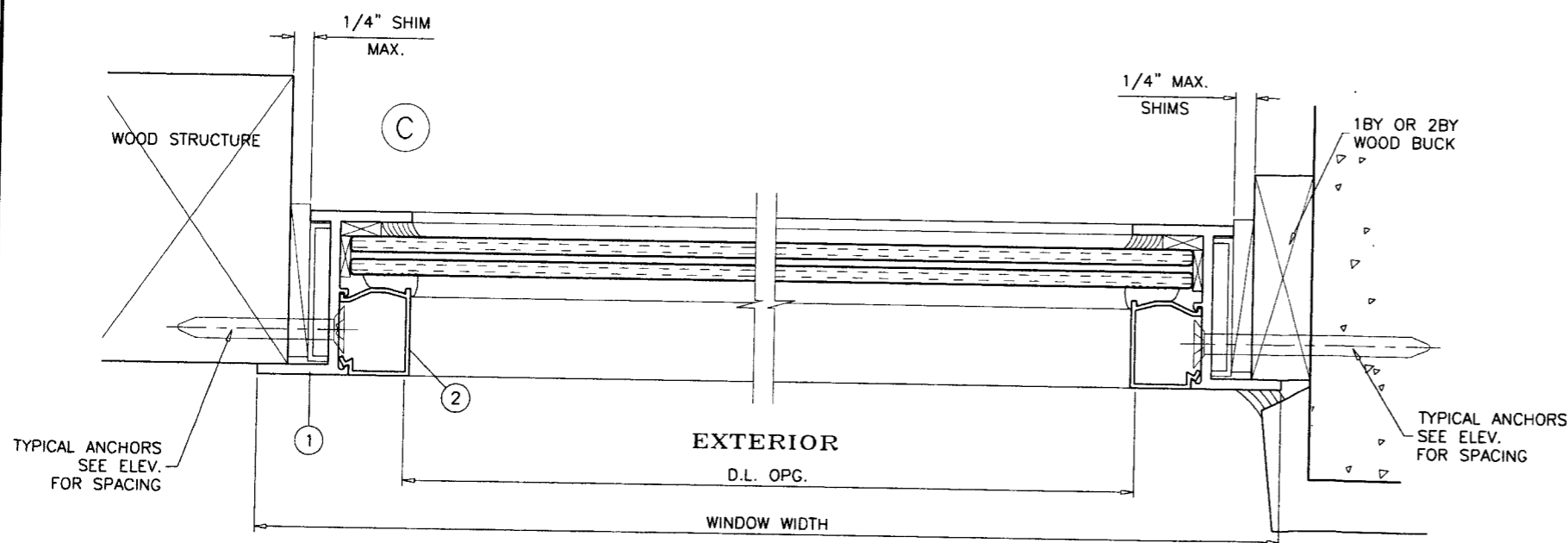
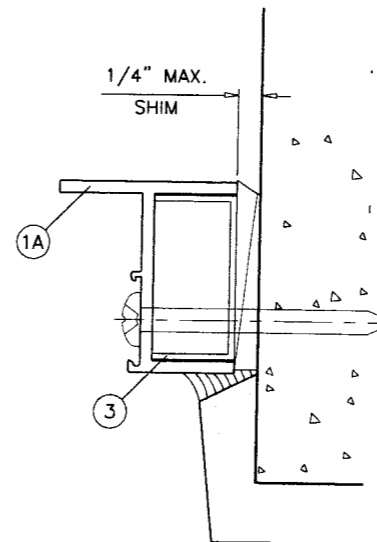
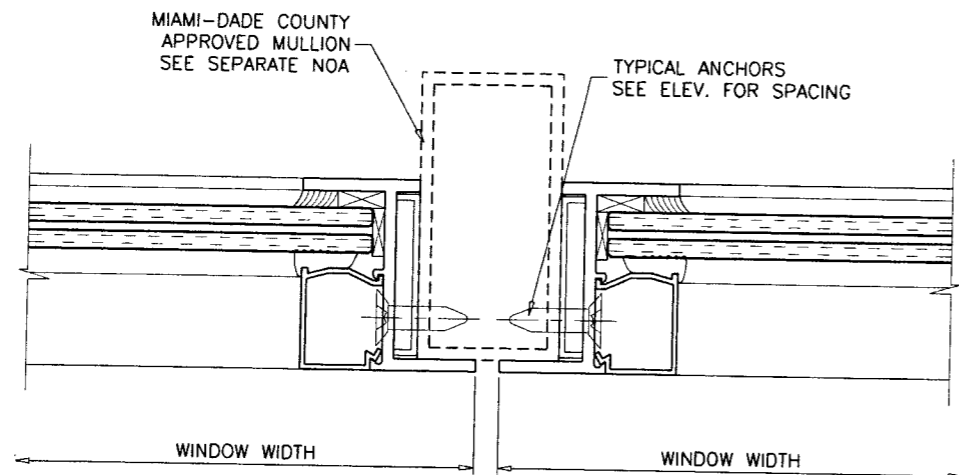
AL-FAROOQ CORPORATION
 ENGINEERS & PRODUCT DEVELOPMENT
 1235 S.W. 87 AVE
 MIAMI, FLORIDA 33174
 TEL. (305) 264-8100 FAX. (305) 262-6978
 COMP-ANL\W05-08SAT

SERIES 3000/3062 ALUM FIXED WDW. (L.M.I.)
SOL-A-TROL ALUMINUM PRODUCTS
 4101 N.W. 132ND STREET
 MIAMI, FL. 33054
 TEL. (305) 681-2020 FAX. (305) 681-2035

no	date	description
A	09.09.05	NO CHANGE THIS SHEET
B	08.12.08	UPDATED FOR 2007 FBC

date: 02-16-05
 scale: 1/2" = 1"
 dr. by: HAMID
 chk. by:

drawing no.
W05-08
 sheet 4 of 7



FLANGE AND EQUAL LEG FRAMES CAN BE USED AT ALL ANCHORAGE CONDITIONS.

Engr: ARSHAD VIOAR
 CIVIL
 FLA. PE # 38863
 C.A.N. 3538

Ar
 MAY 14 2009

PRODUCT REVISED
 as complying with the Florida Building Code
 Acceptance No. 09-0518.07
 Expiration Date NOV. 3, 2010
 By *Manuel Pina*
 Miami Dade Product Control Division

afc
AL-FAROOQ CORPORATION
 ENGINEERS & PRODUCT DEVELOPMENT
 1235 S.W. 87 AVE
 MIAMI, FLORIDA 33174
 TEL. (305) 264-8100 FAX. (305) 262-6978
 COMP - ANL W05 - 08SAT

SERIES 3000/3062 ALUM FIXED WDW. (L.M.I.)
SOL-A-TROL ALUMINUM PRODUCTS
 4101 N.W. 132ND STREET
 MIAMI, FL. 33054
 TEL. (305) 681-2020 FAX. (305) 681-2035

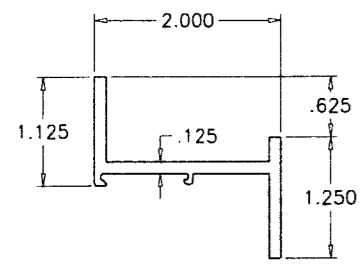
Revisions:

no	date	by	description
A	09.09.05		NO CHANGE THIS SHEET
B	08.12.08		UPDATED FOR 2007 FBC

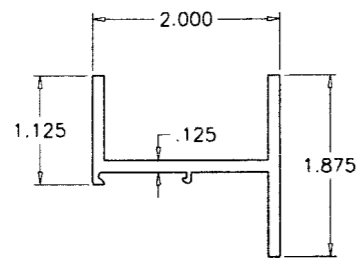
date:	02-16-05
scale:	1/2" = 1"
dr. by:	HAMID
chk. by:	

drawing no.
W05-08
 sheet 5 of 7

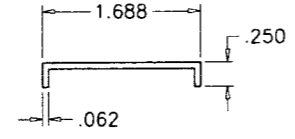
ITEM	PART #	QUANTITY	DESCRIPTION	MATERIAL	MANF./SUPPLIER/REMARKS
1	ARSO-114	4	FLANGE FRAME (HEAD/JAMB/SILL)	6063-T5	-
1A	ARSO-934	4	EQUAL LEG FRAME (HEAD/JAMB/SILL)	6063-T5	-
2	ARSO-169	4	GLAZING BEAD	6063-T5	-
3	-	AS REQD.	SUPPORT CHANNEL, 3" LONG	3003-H14	-
4	ARSO-168	-	ZERO MULLION	6063-T5	-
5	FP-40	AS REQD.	GLAZING WEDGE	VINYL	PROTOTYPE PLASTICS
6	326-RP-142B	2/	VENT SETTING BLOCK (1/2" X 1/4" X FULL LENGTH)	PVC	PROTOTYPE PLASTICS
7	326-FP-808B	AS REQD.	SETTING BLOCK (1/2" X 1/4" X 2") AT 6" FROM ENDS	PVC	PROTOTYPE PLASTICS
8	-	AS REQD.	IMPOST/MULLION REINFORCING	STEEL	-
9	-	AS REQD.	ALUMINUM CHANNEL	3003-H14	3" LONG
10	ARSO-984	AS REQD.	IMPOST	6063-T6	-
11	#10 X 1-1/2"	2/	CORNER IMPOST ASSEMBLY SCREWS	-	PH DRILLFLEX SCREWS



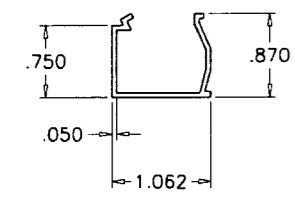
1 FLANGE FRAME HEAD/JAMB/SILL



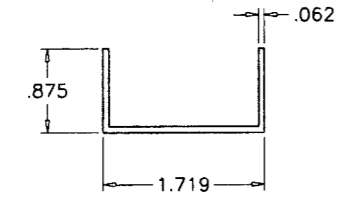
1A EQUAL LEG FRAME HEAD/JAMB/SILL



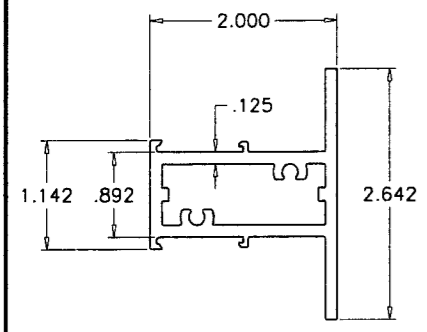
9 ALUM CHANNEL AT ANCHOR LOCATIONS



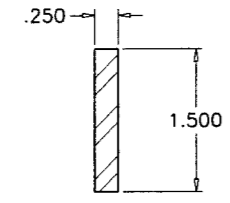
2 GLAZING BEAD



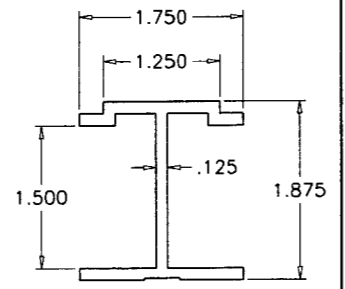
3 SUPPORT CHANNEL



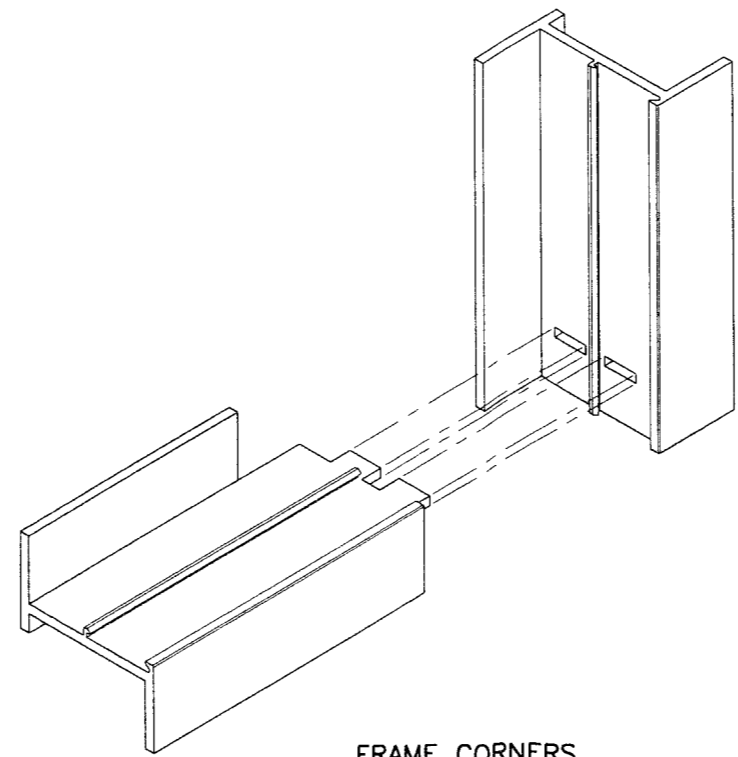
10 IMPOST



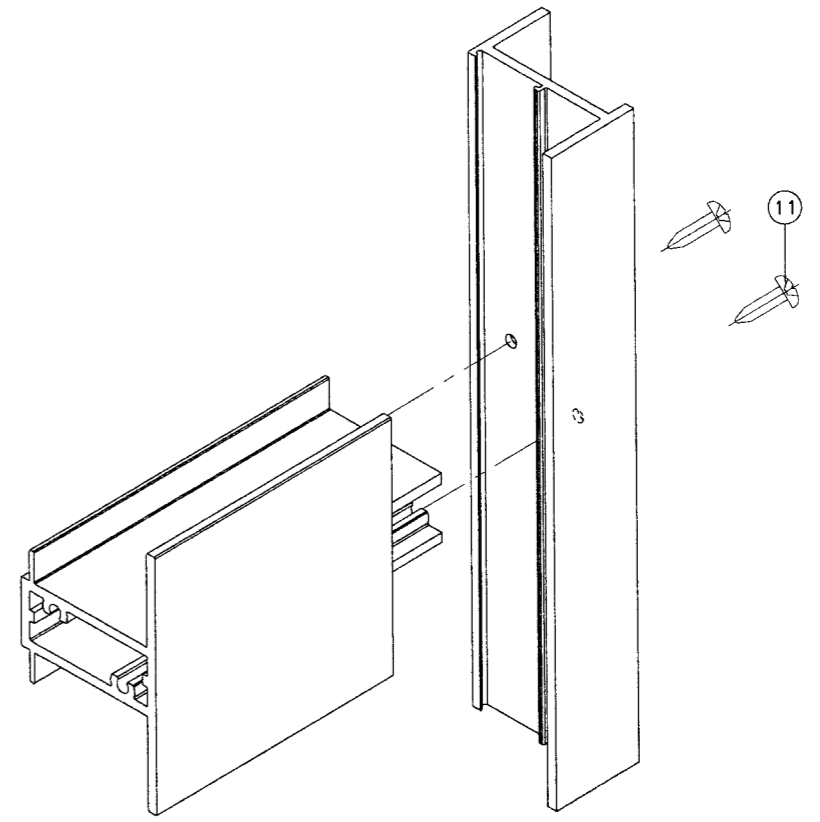
8 IMPOST/MULLION REINFORCING



4 ZERO MULLION



FRAME CORNERS STAKED MORTISE AND TENON FABRICATION



IMPOST CORNERS

Engr: ARSHAD VIGAR
 CIVIL
 FLA. PE # 38863
 C.A.N. 3538
 MAY 14 2009

PRODUCT REVISED
 cc complying with the Florida
 Building Code
 Acceptance No. 09-0518-07
 Expiration Date NOV. 3, 2010
 Manuel Perez
 Miami Trade Product Control
 Division

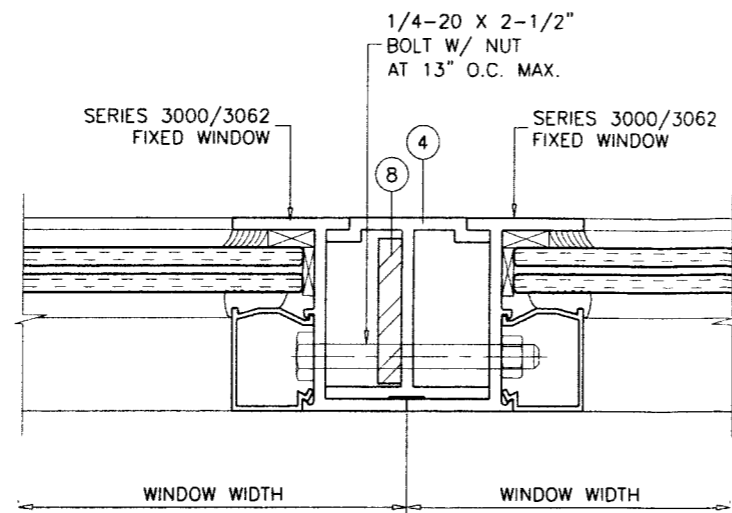
AL-FAROOQ CORPORATION
 ENGINEERS & PRODUCT DEVELOPMENT
 1235 S.W. 87 AVE
 MIAMI, FLORIDA 33174
 TEL. (305) 264-8100 FAX. (305) 262-6978
 COMP-ANL\W05-08SAT

SERIES 3000/3062 ALUM FIXED WDW. (L.M.I.)
SOL-A-TROL ALUMINUM PRODUCTS
 4101 N.W. 132ND STREET
 MIAMI, FL. 33054
 TEL. (305) 681-2020 FAX. (305) 681-2035

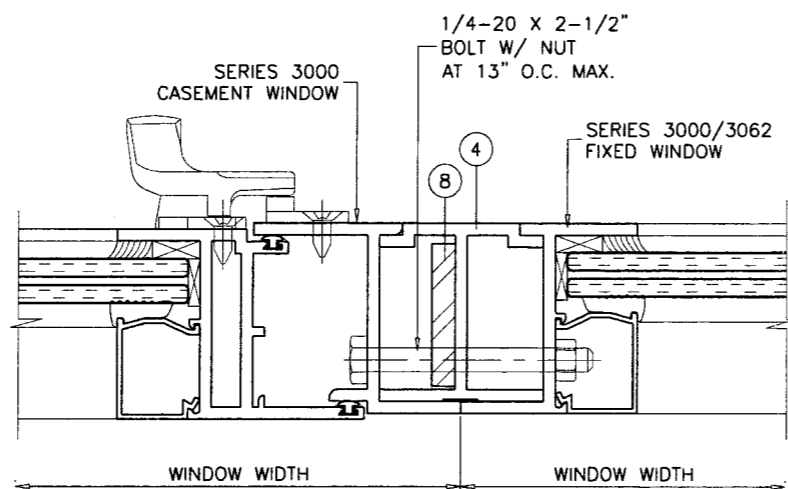
no	date	by	description
A	09.09.05		NO CHANGE THIS SHEET
B	08.12.08		UPDATED FOR 2007 FBC

date: 02-16-05
 scale: 1/2" = 1"
 dr. by: HAMID
 ch. by:
 drawing no. W05-08
 sheet 6 of 7

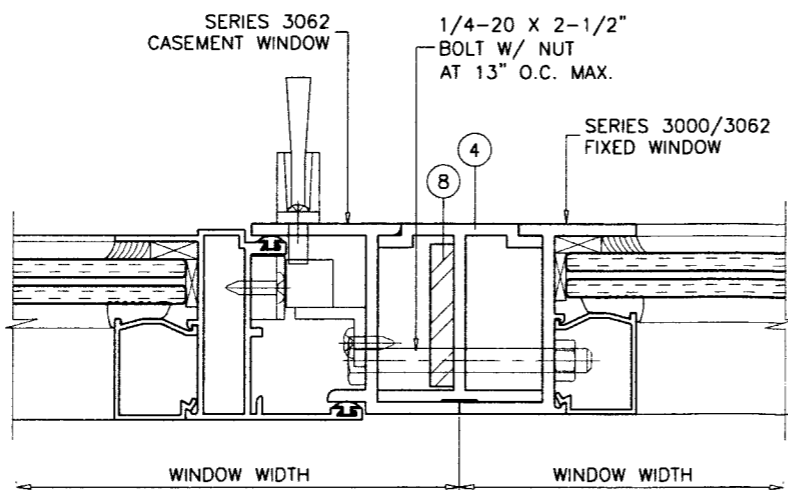
MULLION LOAD CAPACITY - PSF				
WINDOW DIMS.		TYPE '1'	TYPE '2'	TYPE '3'
WIDTH (W)	LENGTH (L)	EXT.(+) INT.(-)	EXT.(+) INT.(-)	EXT.(+) INT.(-)
19-1/8"	26"	100.0	100.0	80.0
26-1/2"		100.0	100.0	80.0
37"		100.0	100.0	80.0
53-1/8"		100.0	100.0	80.0
19-1/8"	38-3/8"	100.0	100.0	80.0
26-1/2"		100.0	100.0	80.0
37"		100.0	100.0	80.0
53-1/8"		100.0	100.0	80.0
19-1/8"	50-5/8"	100.0	100.0	80.0
26-1/2"		100.0	100.0	80.0
37"		100.0	100.0	80.0
53-1/8"		100.0	100.0	80.0
19-1/8"	63"	100.0	100.0	80.0
26-1/2"		100.0	100.0	80.0
37"		85.4	100.0	80.0
24"	36"	100.0	100.0	80.0
30"		100.0	100.0	80.0
36"		100.0	100.0	80.0
42"		100.0	100.0	80.0
48"		100.0	100.0	80.0
54"	100.0	100.0	80.0	
24"	42"	100.0	100.0	80.0
30"		100.0	100.0	80.0
36"		100.0	100.0	80.0
42"		100.0	100.0	80.0
48"		100.0	100.0	80.0
54"	100.0	100.0	80.0	
24"	48"	100.0	100.0	80.0
30"		100.0	100.0	80.0
36"		100.0	100.0	80.0
42"		100.0	100.0	80.0
48"		100.0	100.0	80.0
54"	100.0	100.0	80.0	
24"	54"	100.0	100.0	80.0
30"		100.0	100.0	80.0
36"		100.0	100.0	80.0
42"		100.0	100.0	80.0
48"		100.0	100.0	80.0
24"	60"	100.0	100.0	80.0
30"		100.0	100.0	80.0
36"		98.1	100.0	80.0
42"		88.5	100.0	80.0
44"	63"	76.3	95.6	80.0



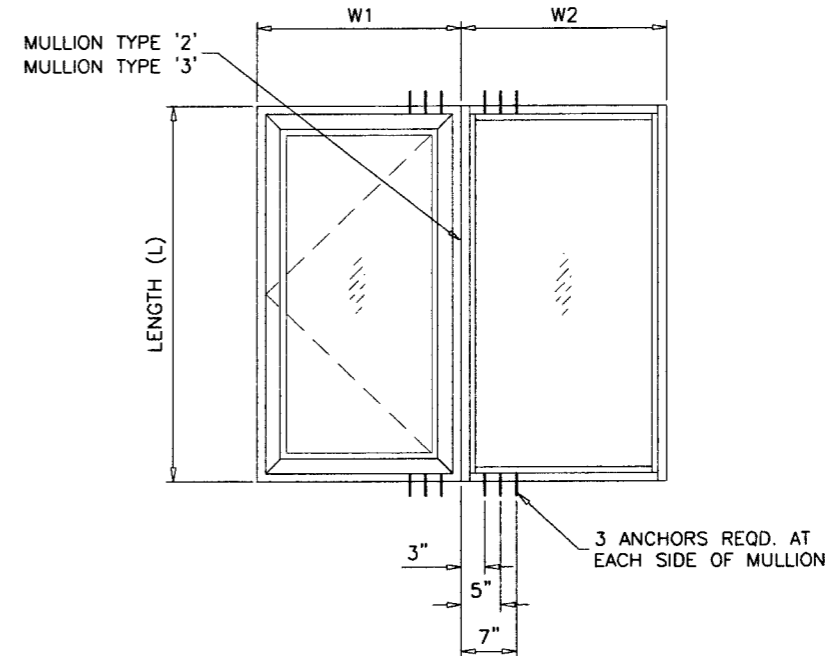
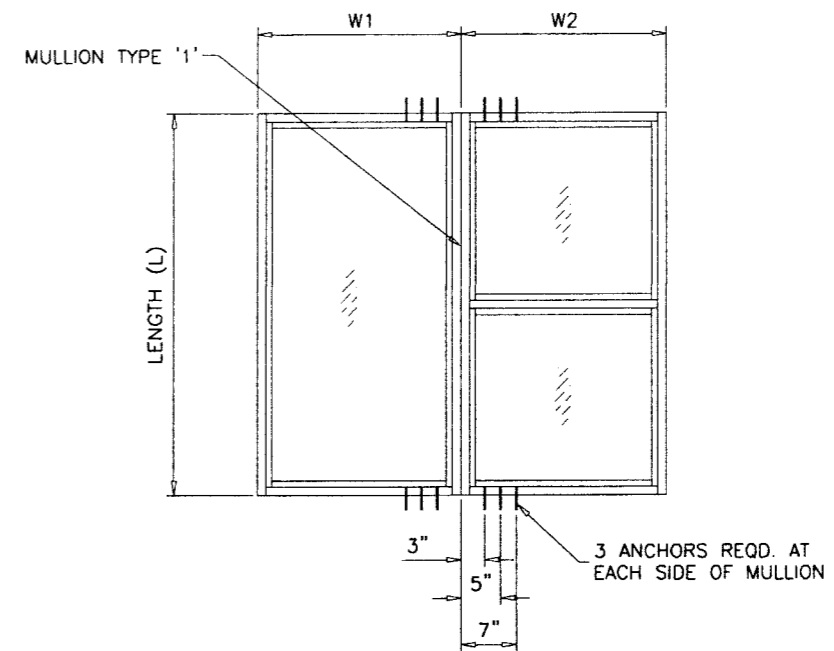
MULLION TYPE '1'



MULLION TYPE '2'



MULLION TYPE '3'



TYPICAL ELEVATIONS
SIDE BY SIDE WINDOWS
SIDE BY SIDE APPLIES TO TWO OR MORE WINDOWS

$$WIDTH (W) = \frac{W1 + W2}{2}$$

NOTES:

- USE CHART ON THIS SHEET FOR SIDE BY SIDE CONNECTION CAPACITY OF WINDOW MULLION.
- FOR FIXED WINDOW CAPACITY SEE SHEET 3 OF 7. FOR IMPOST CAPACITY SEE SHEET 1.
- FOR CASEMENT WINDOW CAPACITY SEE SEPARATE NOA.
- LOWER VALUES FROM STEPS 1, 2 OR 3 WILL APPLY TO ENTIRE SYSTEM.

Engr: ARSHAD VIQAR
CIVIL
FLA. PE # 38863
C.A.N. 3538

Ar
MAY 14 2009

PRODUCT REVISED
as complying with the Florida
Building Code
Approval No. 09-0518.07
Expiration Date NOV. 3, 2010
Manuel Perez
Miami Trade Product Control

af c
AL-FAROOQ CORPORATION
ENGINEERS & PRODUCT DEVELOPMENT
1235 S.W. 87 AVE
MIAMI, FLORIDA 33174
TEL. (305) 264-8100 FAX. (305) 262-6978
COMP-ANL\W05-08SAT

SERIES 3000/3062 ALUM FIXED WDW. (L.M.I.)
SOL-A-TROL ALUMINUM PRODUCTS
4101 N.W. 132ND STREET
MIAMI, FL. 33054
TEL. (305) 681-2020 FAX. (305) 681-2035

no	date	description
A	09.09.05	CHART REV.
B	08.12.08	UPDATED FOR 2007 FBC

date: 02-16-05
scale: 1/2" = 1"
dr. by: HAMID
chk. by:

drawing no.
W05-08
sheet 7 of 7